

Vingcard Essence Electronic Lock

Vingcard Essence revolutionizes the electronic lock industry by housing all lock components, including the reader and mobile access board, inside the door and therefore reaching the maximum minimalistic expression, the true essence of an electronic lock.

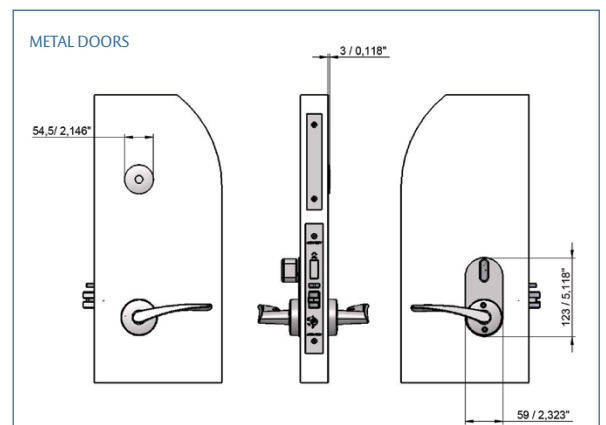
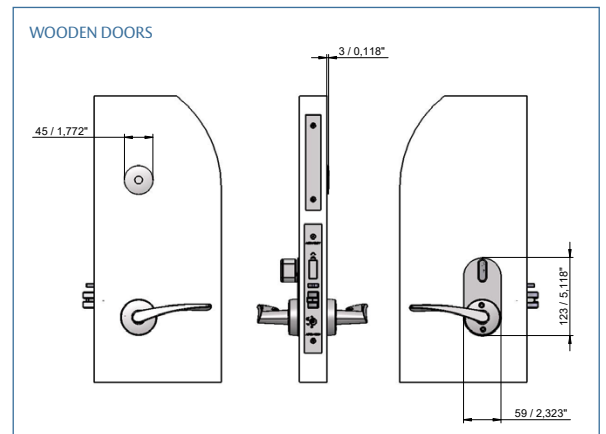
Always delivered as Mobile Access ready, Vingcard Essence is compatible with wooden and metal doors. With Mobile Access board included inside the reader, your property is ready for using the mobile phone as guest room key whenever required.

FEATURES

- : Solid stainless steel or brass handles with self-lubricating, long life bearings.
- : 3-point steel latch construction with an antifriction mechanism.
- : Case hardened full one-inch (ANSI) throw dead bolt.
- : Panic release function – the dead bolt and latch are automatically retracted by inside handle for easy egress in emergency situations.
- : ADA compliant (users with physical disabilities).
- : Powered by 3 AA batteries that provide up to 2 years normal life (depending on door traffic and online/mobile access functionality).
- : Detailed audit trail: 3000 events in offline mode (Vostio and Visionline version 1.24 and above) and unlimited number of events in online mode.
- : Optional high security mechanical override (key cylinder).
- : Mobile Access (BLE/NFC) functionality included in reader.
- : Supports digital wallets.
- : RFID Specifications:
 - 13,56 MHz technology
 - Compatible with the following standards:
 - ISO 14443 A (MIFARE including Desfire)
 - ISO 14443 B
 - ISO 15693



DIMENSIONS



vingcard
ASSA ABLOY

Experience a safer
and more open world

TECHNICAL DATA

| | |
|-------------------------------|--|
| Power | 4.5 V DC (3 x AA alkaline batteries). |
| Battery location | Inside of the door in electronics module. |
| Material | Handles: stainless steel quality SUS304 RFID cover: Polycarbonate UL94V0 (Makrolon 6555). |
| Metal finishes | Satin Chrome, Polished Chrome, Satin Brass, Polished Brass, Light Bronze, Velour Nickel, US Antique Dark and Black Titanium. |
| Standard plastic colour | Black and white. |
| Handle options | Vingcard standard, Valli designer collection and Sargent designer collection. |
| Emergency opening options | Electronic emergency opening with service unit and optional mechanical cylinder. |
| User interface | 3 coloured light pipe shaped as ring around the reader (green, red, yellow). |
| Locking mechanism | Electromechanical locking mechanism located in the lockcase. |
| Door thickness | 34 - 120 mm / 1.34 - 4.72 Inches. |
| System software compatibility | Visionline and Vostio. |
| Online compatibility | Wireless (based on ZigBee protocol) in Visionline. |
| Storage temperature | 0-70 °C / 32-158 °F: non-condensing environment. |
| Tested operating temperature | Tested from -25 °C to 70 °C (-13 °F to 158 °F), according to IEC 60068-2. |
| Certifications | European EMC, LVD and R&TTE Directives. Approved according to EN14846. Fire approved according to EN 1634-1. Fire approved according to UL (timber doors). FCC/IC for US and Canada. |
| Supported RFID standards | ISO 14443 A, ISO 14443 B, ISO 15693 |
| Mobile Access support | Reader with built-in BLE/NFC |
| Supported door types | Interior doors (wood and metal). |

LOCK CASE DIMENSIONS

| | |
|-------------------------|---|
| ANSI lock case variants | ANSI DA, ANSI DB (both available in the following versions: 4-switch, Auto deadbolt (ADB) Australia version (AUS) and Japan (JPN) version). |
| ANSI lock case widths | 25 mm / 0.98 inches, 28 mm / 1.10 inches, 32 mm / 1.26 inches. |
| ANSI backset | 70 mm / 2.76 inches. |
| EURO lock case variants | EURO, EURO ADB, EURO MPA. |
| EURO lock case widths | 20 mm / 0.79 inches, 22 mm / 0.87 inches, 24 mm / 0.94 inches. |
| EURO backsets | 65 mm / 2.56 inches, 80 mm / 3.15 inches. |

