

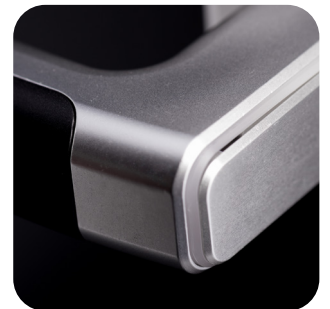
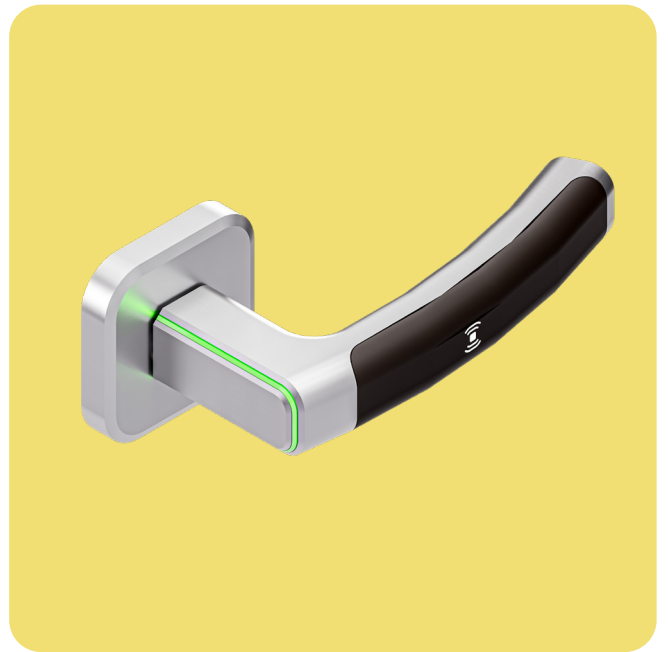
Vingcard Novel Electronic Mortise Lock

Engineered using a combination of advanced security and guest enhancing technology, there's more than one reason why Vingcard Novel represents the future of electronic locks for hospitality. Vingcard Novel is an aesthetically attractive product with modern and powerful electronics that is ready for enabling our Mobile Access and online technology when our customers require it. With sustainable manufacturing materials, reduced weight and packaging volume, plus an optional charger for battery-free operation, Vingcard Novel takes its responsibility of protecting the environment seriously.

Each lock offers the peace of mind that today's guests seek while providing hotels with the seamless ability to stay a step ahead of the newest industry trends and expectations.

FEATURES

- ▶ Supports the latest RFID technology
- ▶ Supports Mobile Access
- ▶ UL 10C 20 min, 45 min, 60 min, 90 min in wood and hollow metal doors (not applicable for the retrofit version)
- ▶ European Fire Certified For 30 and 60 minutes
- ▶ ANSI BHMA certified
- ▶ EN certified Automatic locking as soon as the door is closed
- ▶ Automatic locking as soon as the door is closed (known as ADB or self-latching)
- ▶ ADA compliant (users with physical disabilities)
- ▶ Sustainable manufacturing processes and materials
- ▶ Aesthetically appealing anodized finishes available
- ▶ Designed for both indoor and outdoor use in all weather conditions
- ▶ Optional high security mechanical override cylinder
- ▶ Battery-free option available - no battery change needed
- ▶ Compatible with Vostio Access Management
- ▶ RFID Specifications:
 - 13,56MHz technology
 - Compatible with the following standards:
 - ISO 14443 A
 - ISO 14443 B



vingcard
ASSA ABLOY

Experience a safer
and more open world

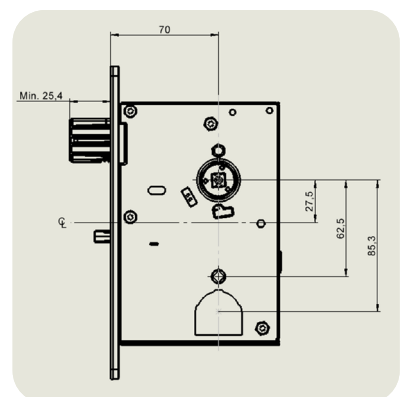
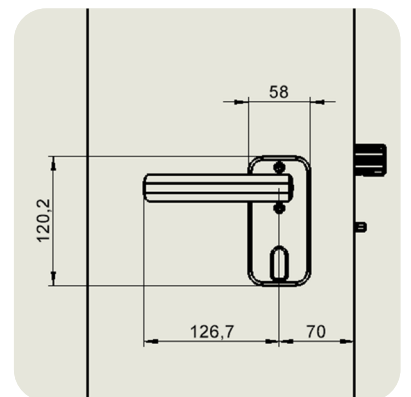
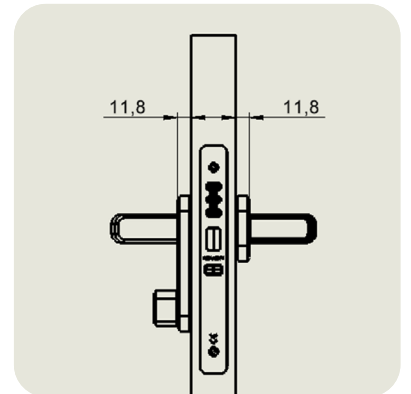
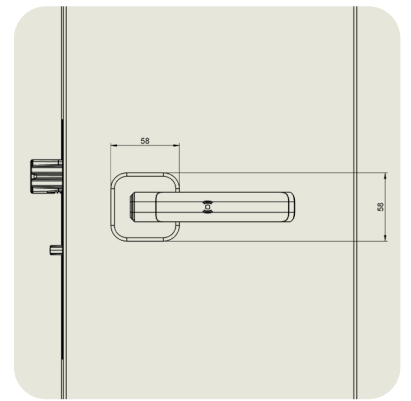
TECHNICAL DATA

Power	4,5 V DC (3 x AA alkaline batteries) OR wireless charging using Frame and Lock Power modules. Required Power supply: 12/24V (10V - 28V) 1.5W min
Battery location	Inside lock case
Material	Handles & Roses: Aluminium (EN AW6063 T6) Lock Case: Steel and Stainless steel
Metal finishes	Black matt anodized, Natural matt anodized, Gold matt anodized. More finishes will be added upon request
Standard plastic color	Black RAL 9005
Handle options in standard range	Vingcard standard handle, EN179 handle, California handle
Emergency opening options	Electronic emergency opening with service unit and optional mechanical cylinder.
User interface	RGB LED (green, red, yellow, blue) and acoustic beeper
Locking mechanism	Electro-mechanical locking mechanism located in the lockcase.
Door thickness	36 - 120 mm / 1,42 - 4,72 Inches
System software compatibility	Vostio Access Management
Online compatibility	Wireless
Storage temperature	0-70 °C / 32-158 °F: non-condensing environment.
Tested operating temperature	Tested from -25 °C to 70 °C (-13 °F to 158 °F), according to IEC 60068-2.
Certifications	Certified European EMC LVD and R&TTE Directives EN14846 ANSI BHMA Fire approved according to EN 1634-1 (30 min. & 60 min.) Fire approved according to UL10(c) (20 min, 45 min, 60 min, 90 min timber and hollow metal doors) FCC/IC for US and Canada.
Mobile Access support	Reader with built-in BLE or NFC-based digital wallet
Reader IP rating	IP 56

LOCKCASE DIMENSIONS

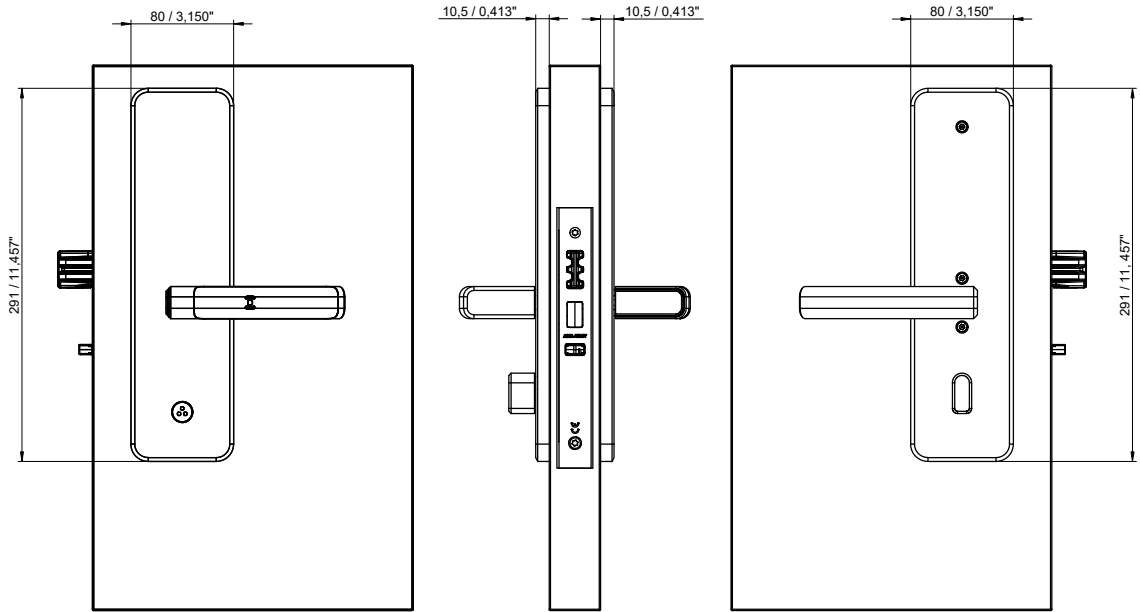
Lock case widths	24mm / 0,94 inches, 25 mm / 0,98 inches, 28 mm / 1,10 inches, 32 mm / 1,26 inches.
Backset	70 mm / 2,76 inches.

DIMENSIONS

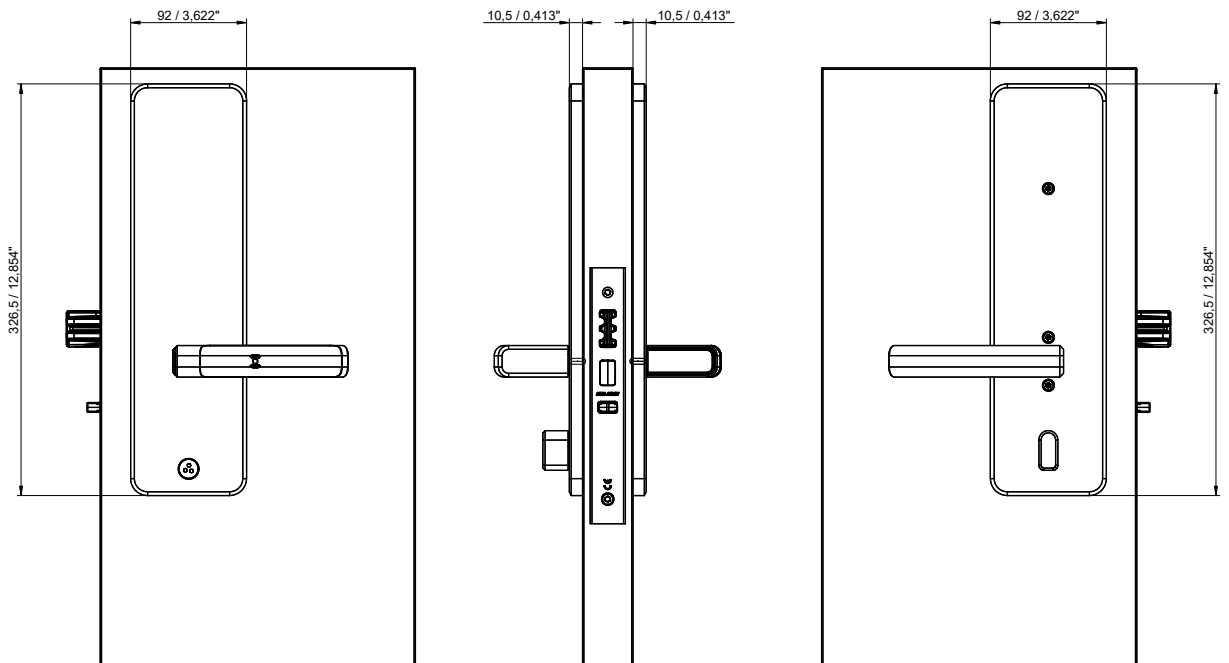


RETROFIT (NOT AVAILABLE FOR THE US MARKET)

Vingcard has developed two standard retrofit options for Novel. Both retrofit options utilizes a cover plate, that will be mounted in order to seamlessly cover the previous installation footprint.



Option A



Option B